



Creating a cleaner, safer world.™

6500 Power Sweeper



Power Sweeping Made Easy

There's a lot to like about the newest 6500 Power Sweeper. We listened to customers' needs in the field and then went to work. What we engineered was a simpler, easier-to-use sweeper that doesn't compromise performance.

For example, we made it much easier to change the brush mechanism by eliminating the guesswork. Our Brush Wear Optimizer features color-coded brush settings based on wear and tear—increasing brush life and maximizing sweeping performance.

Cleans Indoors and Outdoors

This mid-sized floor sweeper is built tough to handle the most demanding environments—inside or out. It is designed to clean a variety of surfaces, from smooth cement to rough cobblestone. A direct-throw, II-Speed™ brush efficiently collects a variety of debris, including paper, dust, sand, rocks, glass, cans, bottles and even broken two-by-fours.

The Highest Productivity in its Class

A 26-inch (660 mm) side brush together with a 45-inch (1145 mm) main brush provides a 61.5-inch (1565 mm) sweeping path. For the ultimate in flexibility, a retractable, spring-loaded arm allows the side brush to safely extend into corners and other hard-to-reach areas—getting debris that other sweepers can't touch.





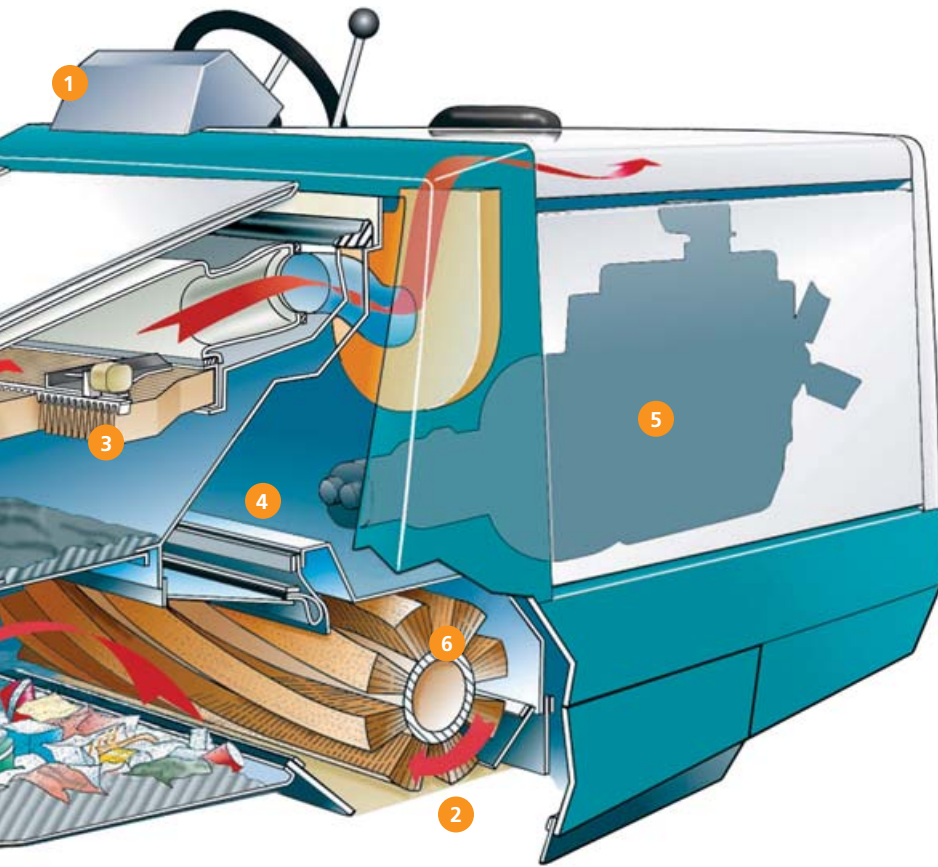
The 6500 handles both warehouse-size areas and hard-to-reach spots that other sweepers can't maneuver or fit into.



The brush and vacuum filter system combination makes the 6500 ideal for factory floors.



The 6500 cleans loading docks and parking lots on the outside just as easily and effectively as it does floors on the inside.



Key Features

- 1 An uncomplicated dash and simple sweeping process gets you cleaning faster.
- 2 The color-coded Brush Wear Optimizer makes it easy to set the proper brush height for optimal performance.
- 3 The patented VCS™ filter-shaking system incorporates breakthrough technology for greater cleaning efficiency—maximizing filter performance and extending filter life. It features a clogged-filter indicator and a robust filter shaker to maximize the run-time between filter cleanings.
- 4 Dual dust skirts for the brush door prevent dust and debris from escaping.
- 5 A lower noise level (80 dBA at normal operating speed) makes the 6500 quieter to operate and easier to maintain.
- 6 No-tool brush replacement means the 6500 is up and running again quickly.

6500 Power Sweeper

Model 6500 Specifications*

Propelling System

Gradeability		
Full hopper	6 deg/10.5%	
Empty hopper	8 deg/14.1%	
Speed forward (variable to)	8.5 mph	13.7 km/h
Speed reverse (variable to)	2.5 mph	4.0 km/h

Sweeping System

Coverage rate per hour		
Average (5 mph, 6 inch overlap)	122,100 ft ²	11,350 m ²
Maximum (full speed, no overlap)	230,000 ft ²	21,375 m ²
Cleaning path	61.5 in	1565 mm
Main brush length (tubular)	45.0 in	1145 mm
Sidebrush diameter (disk)	26.0 in	660 mm
Hopper capacity		
Volume capacity	14 ft ³	400 L
Weight capacity	1200 lb	545 kg
Dump height	60.0 in	1525 mm

Machine Dimensions

Length	93.0 in	2360 mm
Width	62.5 in	1590 mm
Height without overhead guard	58.0 in	1475 mm
Height with overhead guard	82.0 in	2080 mm
Net weight	3595 lb	1630 kg
Turning radius	65.0 in	1650 mm
Minimum aisle turn (left)	113.0 in	2870 mm

Tenant Value-Added Equipment

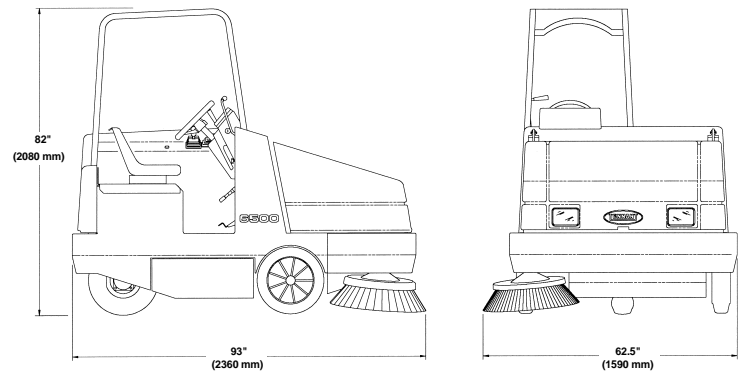
Multi-level dump	Perma-filter™
II-Speed™ cleaning	Color-coded wiring
Hopper access door	Industrial radiator
Wrap-around bumper	Vacuum fan shutoff
T-beam frame construction	No-tool brush change

Optional Equipment

Audio-visual backup alarm	Blower attachment
Light packages	Vacuum wand
Sidebrush dust control	Enclosed cab
Sealed alternator	Overhead guard
Dual-element air cleaner	

* Subject to change without notice.
(Some options may not be available in all countries.)

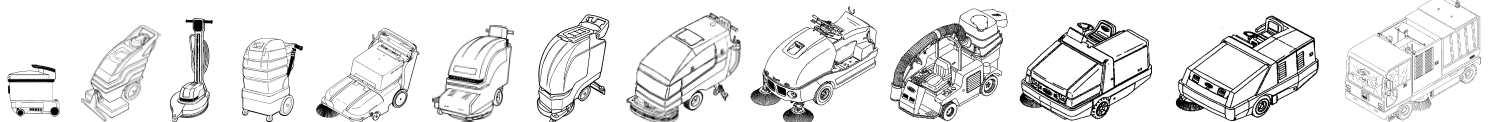
Dimensions



The easy-to-read, color-coded Brush Wear Optimizer allows the operator to accurately set the proper brush height—maximizing brush life and sweeping performance.

Creating a cleaner, safer world™

Tennant Company offers the most complete lines of floor and surface maintenance equipment, floor coatings, brushes and cleaning detergents in the world, for the industrial, commercial and outdoor cleaning markets. Our sales and service networks are able to provide you with integrated custom cleaning solutions to meet any floor care need.



ISO 9001 Certified UL Listed



Tennant Company
701 N. Lilac Drive
Minneapolis, MN 55440, USA
Phone: 763-540-1200
Call toll-free: 1-800-553-8033
Fax: 763-540-1437
In Quebec call: 514-335-6061
www.tennantco.com